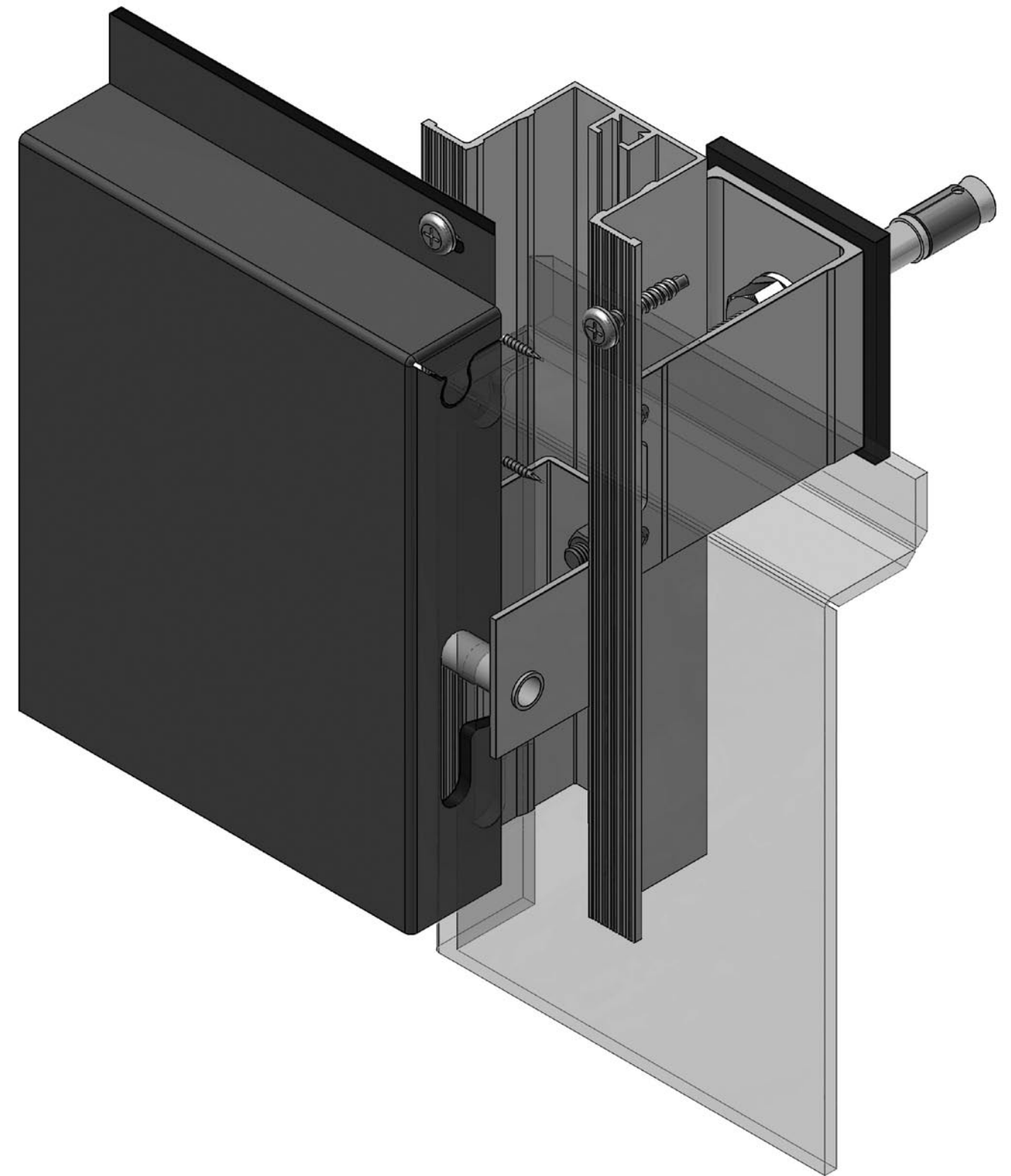
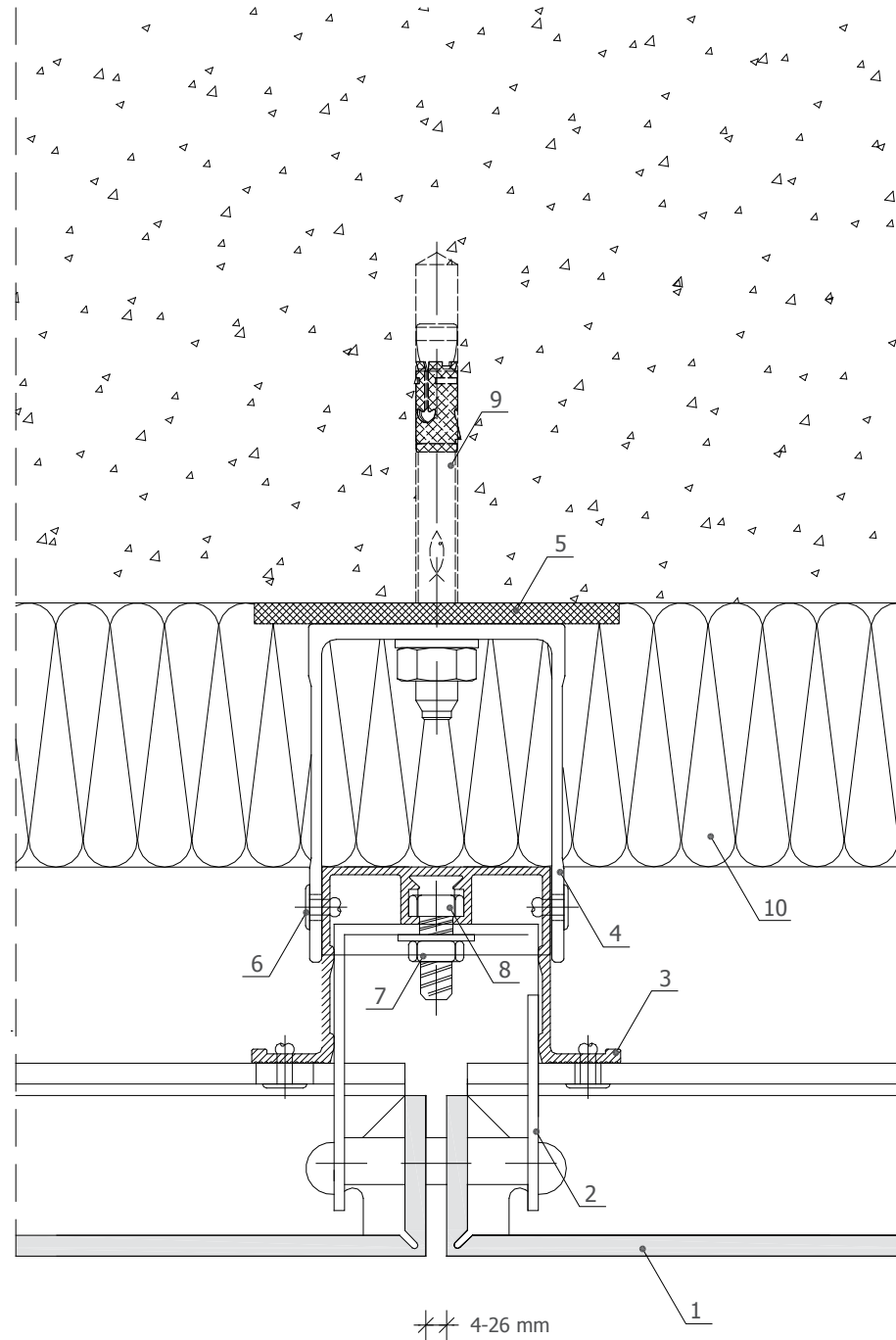


**VENTILATED
FAÇADE SYSTEMS
FOR HANGING
ETALBOND®**

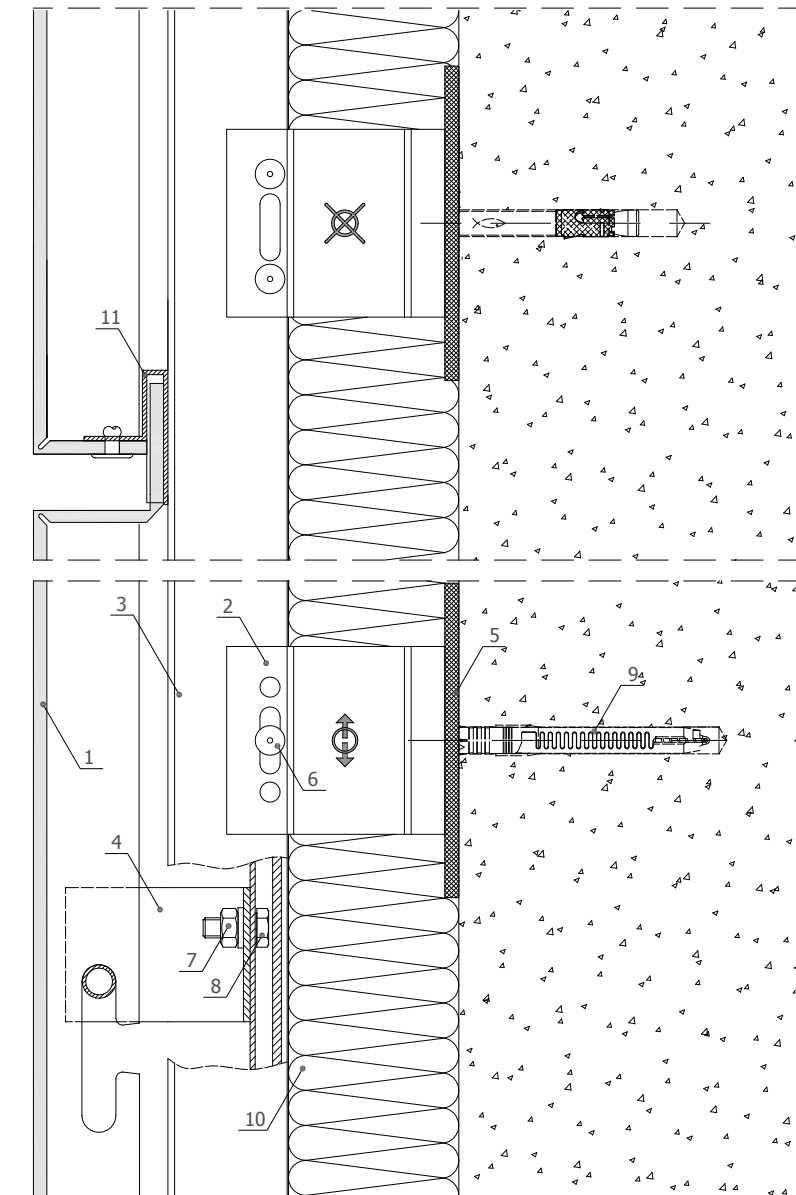


detail 1 - etalbond®



1. etalbond®
2. hanger
3. main profile
4. fixing bracket - 65 mm
5. thermo-insulation pad
6. rivet - 4.8x12
7. nut M6
8. bolt M6x16
9. anchor
10. thermal insulation

detail 2 - etalbond®



1. etalbond®
2. hanger
3. main profile
4. fixing bracket - 65 mm
5. thermo-insulation pad
6. rivet - 4.8x12
7. nut M6
8. bolt M6x16
9. anchor/plug
10. thermal insulation
11. supporting profile

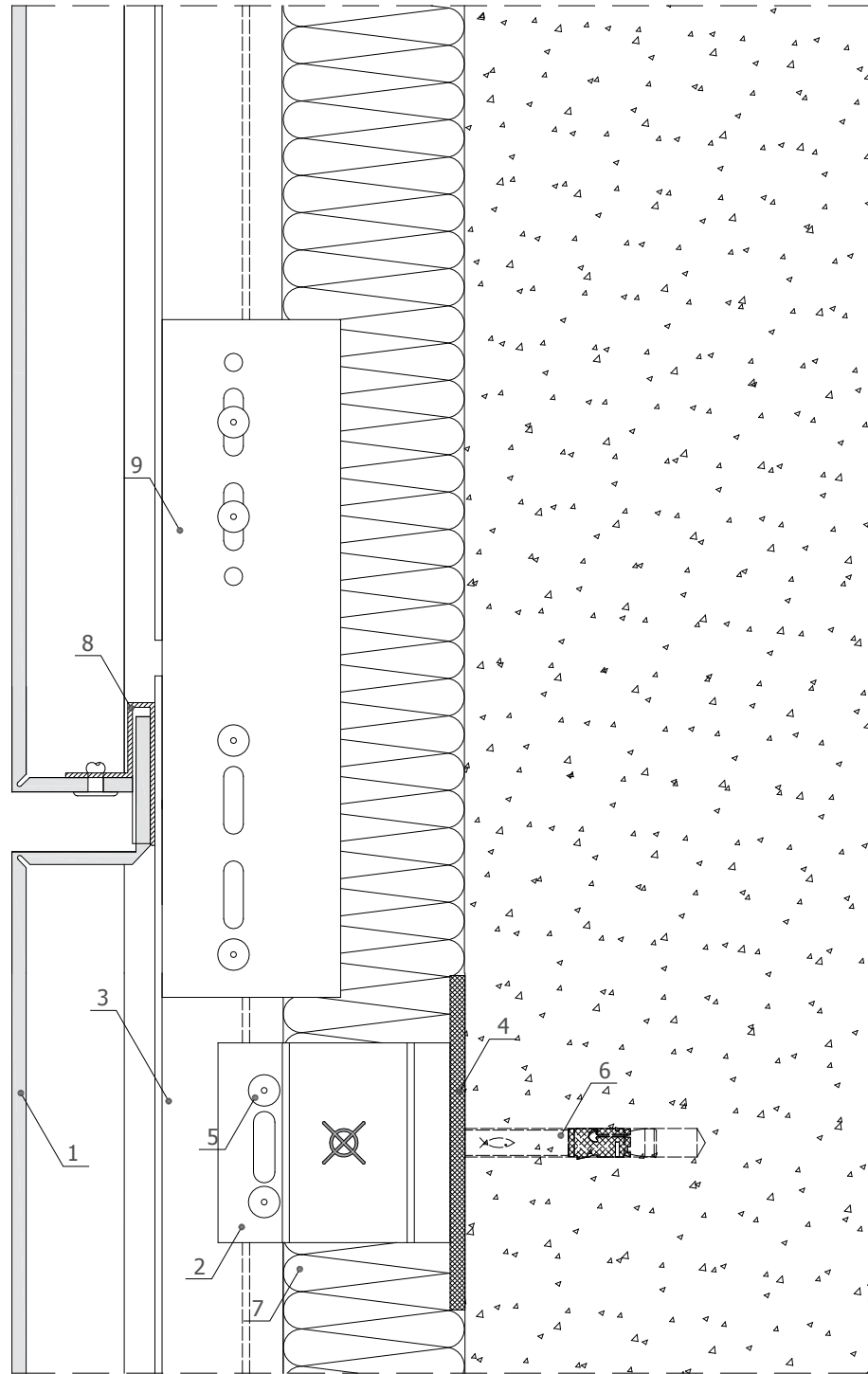
03/2010

The engineering design of this product is an intellectual property of ETEM Building Systems.
Copying and distributing any parts of the product is a violation of the copyright law.

03/2010

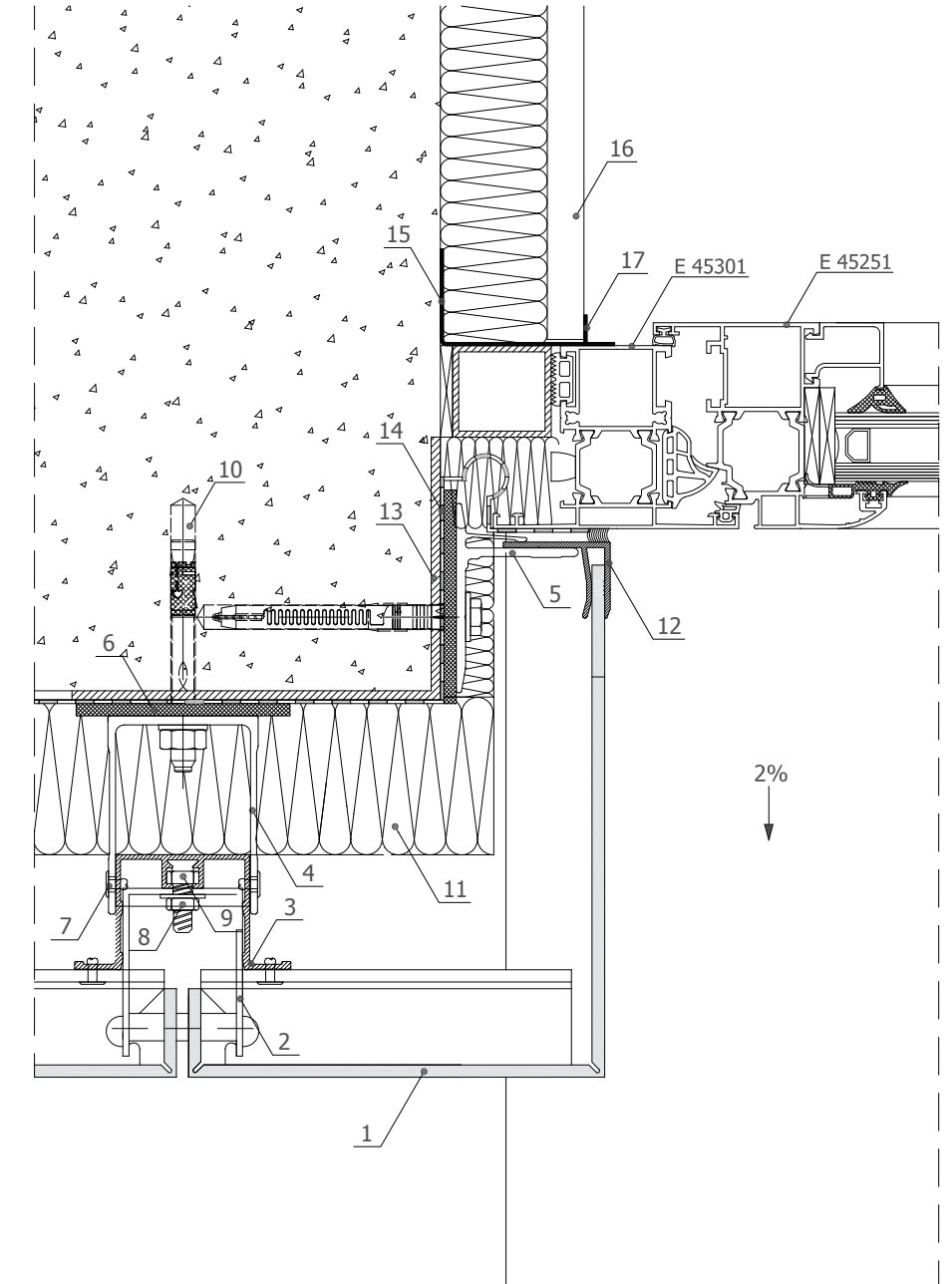
The engineering design of this product is an intellectual property of ETEM Building Systems.
Copying and distributing any parts of the product is a violation of the copyright law.

detail 2.1 - etalbond®



1. etalbond®
2. main profile
3. fixing bracket - 65 mm
4. thermo-insulation pad
5. rivet - 4.8x12
6. anchor
7. thermal insulation
8. supporting profile
9. joint profile

detail 3 - etalbond®



1. etalbond®
2. hanger
3. main profile
4. fixing bracket - 65 mm
5. fixing bracket - 40 mm
6. thermo-insulation pad
7. rivet - 4.8x12
8. nut M6
9. bolt M6x16
10. plug
11. thermal insulation
12. F profile
13. aluminum sheet 3 mm
14. waterproofing
15. streamproofing membrane
16. plasterboard
17. decorative PVC profile

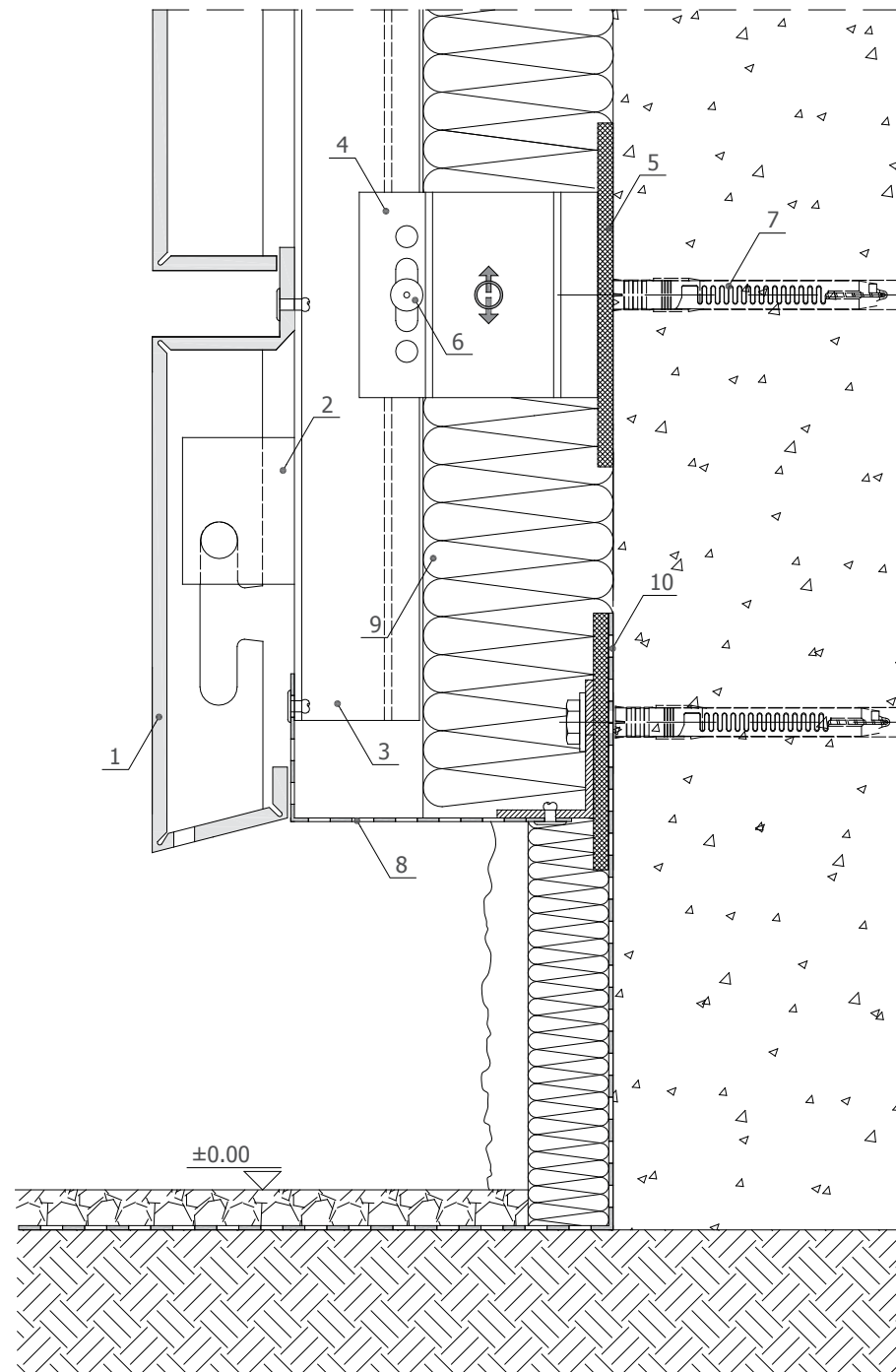
03/2010

The engineering design of this product is an intellectual property of ETEM Building Systems.
Copying and distributing any parts of the product is a violation of the copyright law.

03/2010

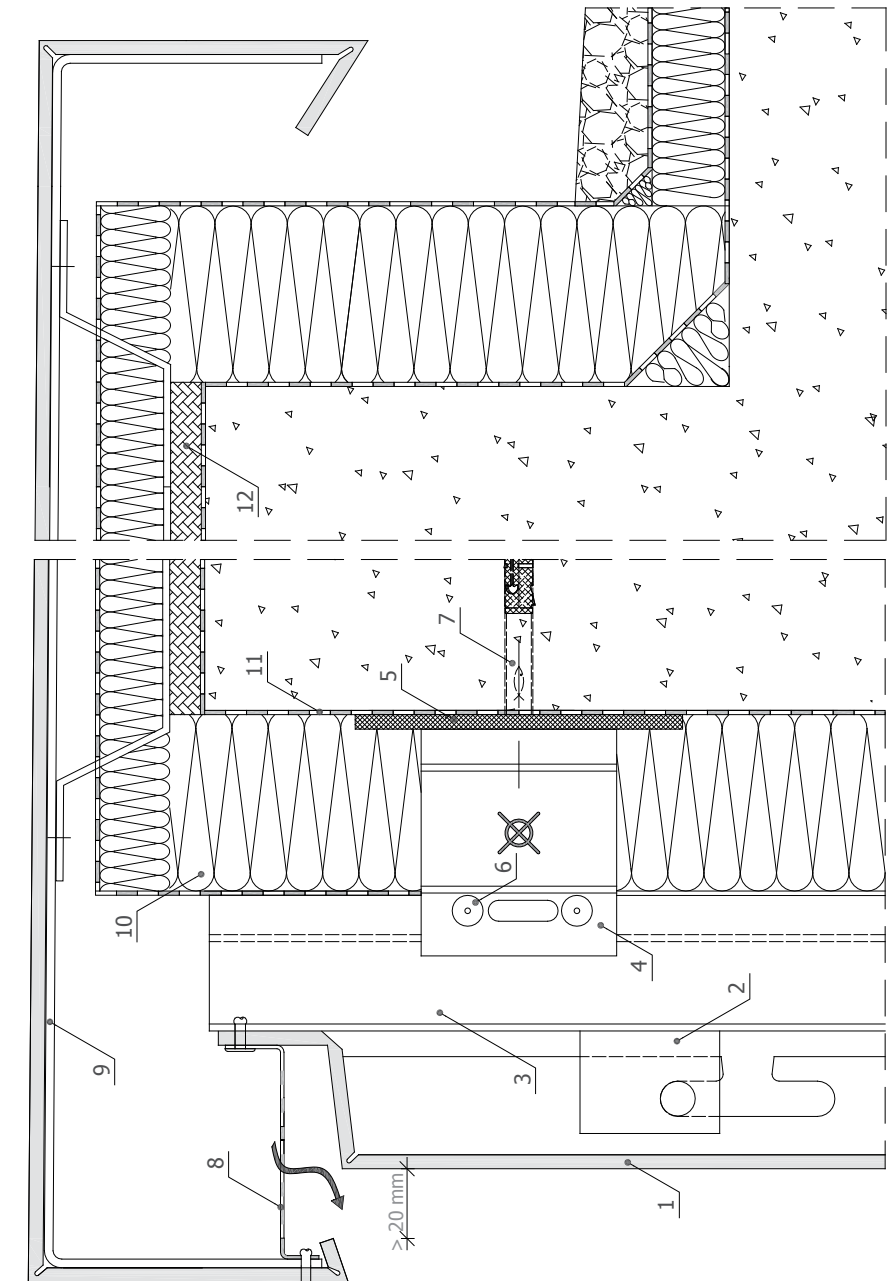
The engineering design of this product is an intellectual property of ETEM Building Systems.
Copying and distributing any parts of the product is a violation of the copyright law.

detail 6 - etalbond®



1. etalbond®
2. hanger
3. main profile
4. fixing bracket - 65 mm
5. thermo-insulation pad
6. rivet - 4.8x12
7. plug
8. perforated metal sheet
9. thermal insulation
10. waterproofing

detail 7 - etalbond®



1. etalbond®
2. hanger
3. main profile
4. fixing bracket - 65 mm
5. thermo-insulation pad
6. rivet - 4.8x12
7. anchor
8. perforated metal sheet
9. aluminum sheet 3 mm
10. thermal insulation
11. waterproofing
12. plywood

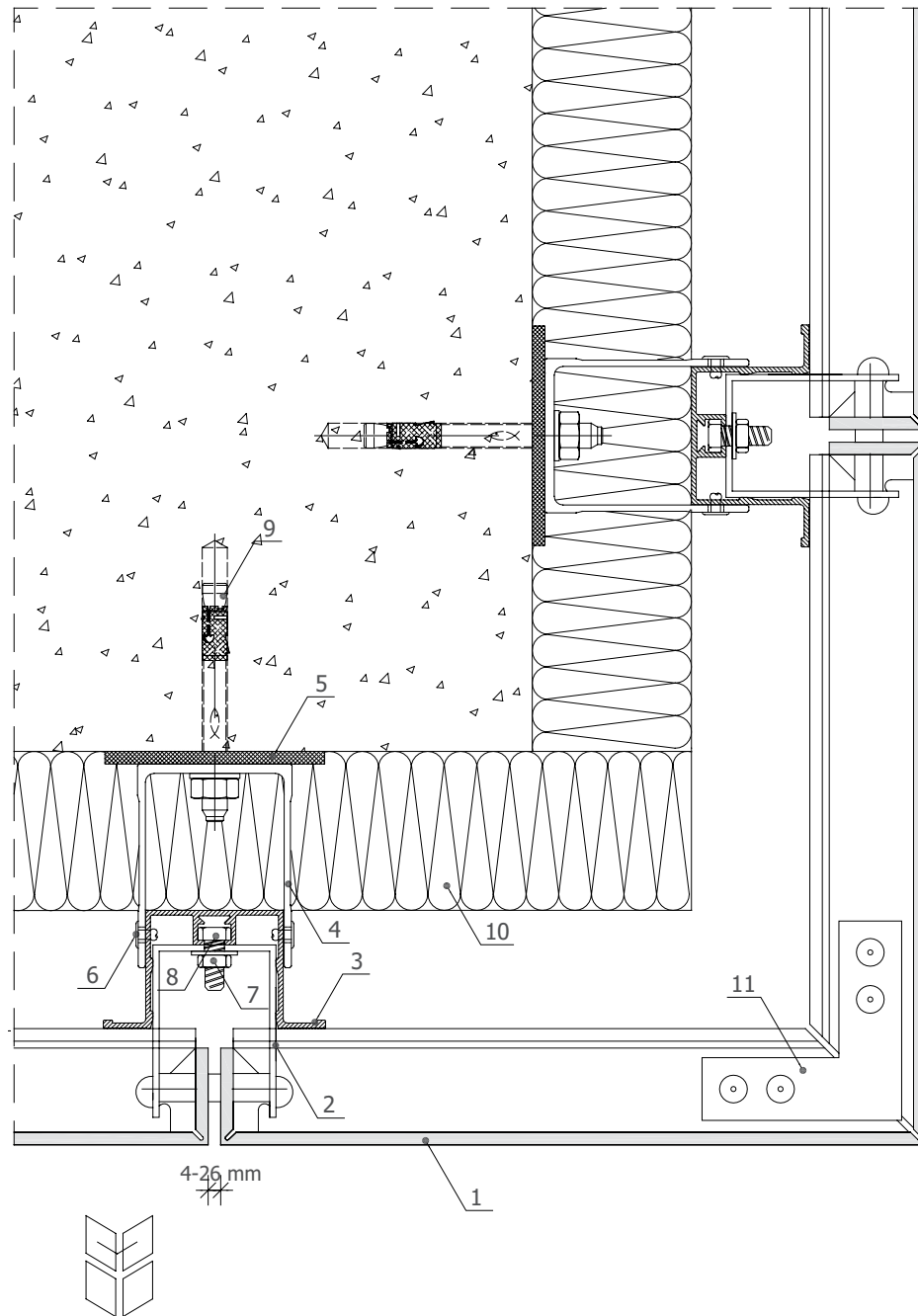
03/2010

The engineering design of this product is an intellectual property of ETEM Building Systems.
Copying and distributing any parts of the product is a violation of the copyright law.

03/2010

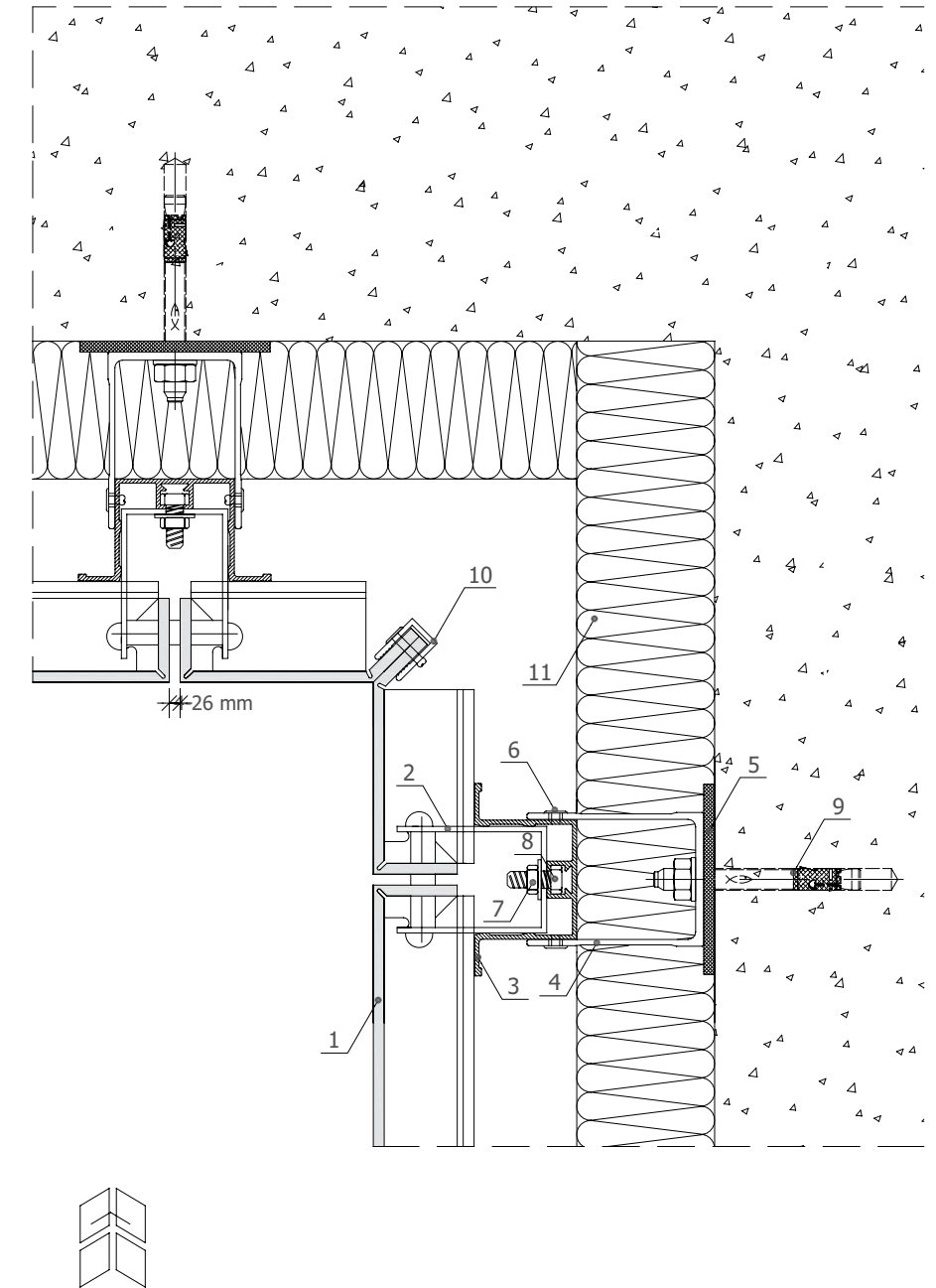
The engineering design of this product is an intellectual property of ETEM Building Systems.
Copying and distributing any parts of the product is a violation of the copyright law.

detail 8 - etalbond®



1. etalbond®
2. hanger
3. main profile
4. fixing bracket - 65 mm
5. thermo-insulation pad
6. rivet - 4.8x12
7. nut M6
8. bolt M6x16
9. anchor
10. thermal insulation
11. aluminum strap

detail 9 - etalbond®



1. etalbond®
2. hanger
3. main profile
4. fixing bracket - 75 mm
5. thermo-insulation pad
6. rivet - 4.8x12
7. nut M6
8. bolt M6x16
9. anchor
10. supporting profile
11. thermal insulation

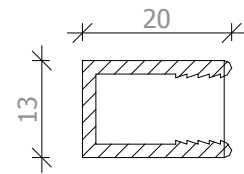
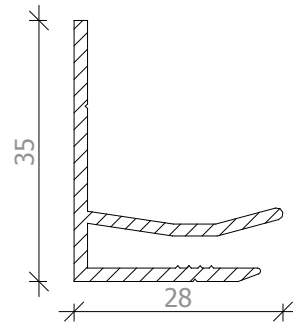
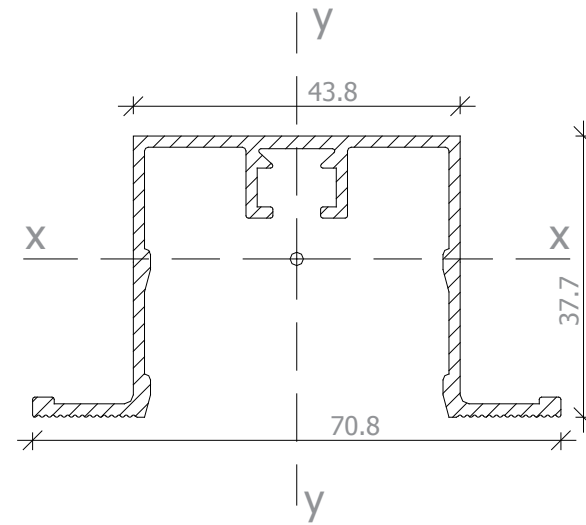
03/2010

The engineering design of this product is an intellectual property of ETEM Building Systems.
Copying and distributing any parts of the product is a violation of the copyright law.

03/2010

The engineering design of this product is an intellectual property of ETEM Building Systems.
Copying and distributing any parts of the product is a violation of the copyright law.

main profile



Profile 33413
Weight 758.5 g/m
 $I_x = 5.67 \text{ cm}^4$
 $W_x = 2.67 \text{ cm}^3$
 $I_y = 10.94 \text{ cm}^4$
 $W_y = 3.09 \text{ cm}^3$
 $A = 2.81 \text{ cm}^2$

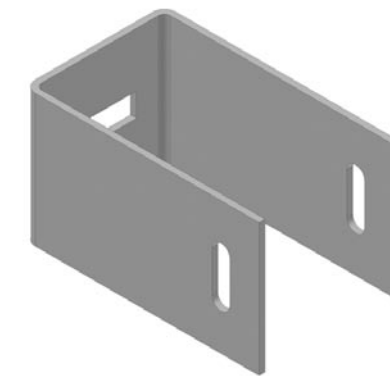
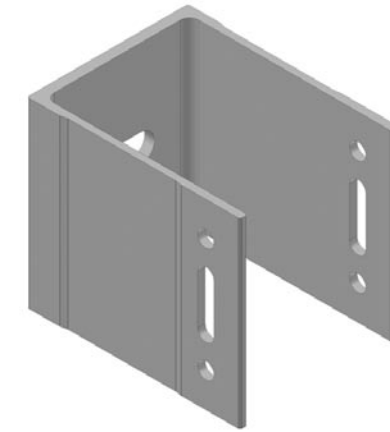
fixing bracket
from extrude
profile code
07bravo.01 L = 65 mm

Profile 31064
Weight 392g/m

fixing bracket
from aluminium sheet
code 071108.01 L = 80 mm
code 071108.06 L = 100 mm
code 071108.03 L = 120 mm
code 071108.04 L = 160 mm

Profile 5256
Weight 248g/m

fixing bracket



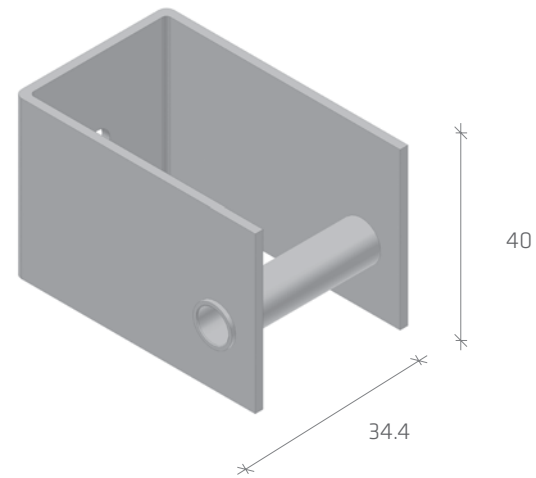
03/2010

The engineering design of this product is an intellectual property of ETEM Building Systems.
Copying and distributing any parts of the product is a violation of the copyright law.

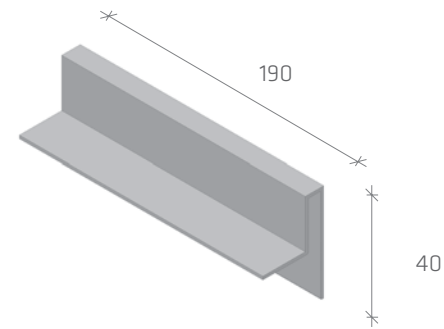
03/2010

The engineering design of this product is an intellectual property of ETEM Building Systems.
Copying and distributing any parts of the product is a violation of the copyright law.

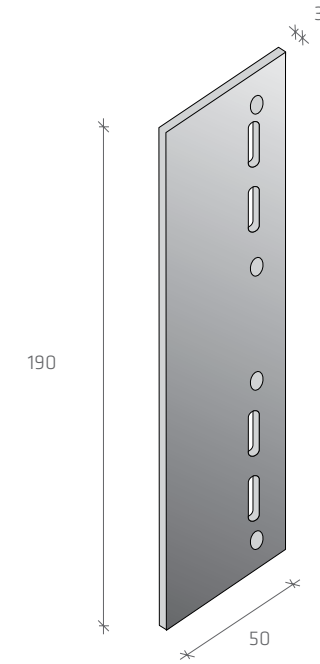
accessories



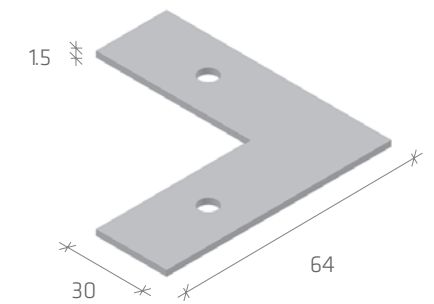
hanger
code 07bravo00



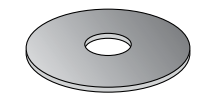
supporting profile
code 07support01



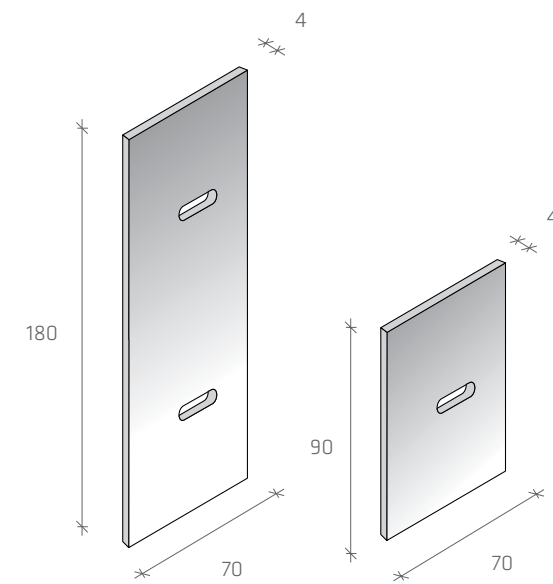
joint profile
code 07shina



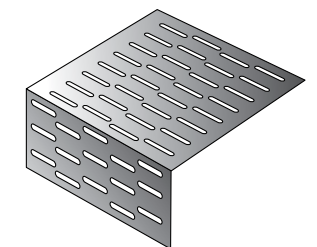
aluminum strap
code 07support02



washer
code 07washerQ10



thermo-insulation pad
code 07pvcbreak00



grating

03/2010

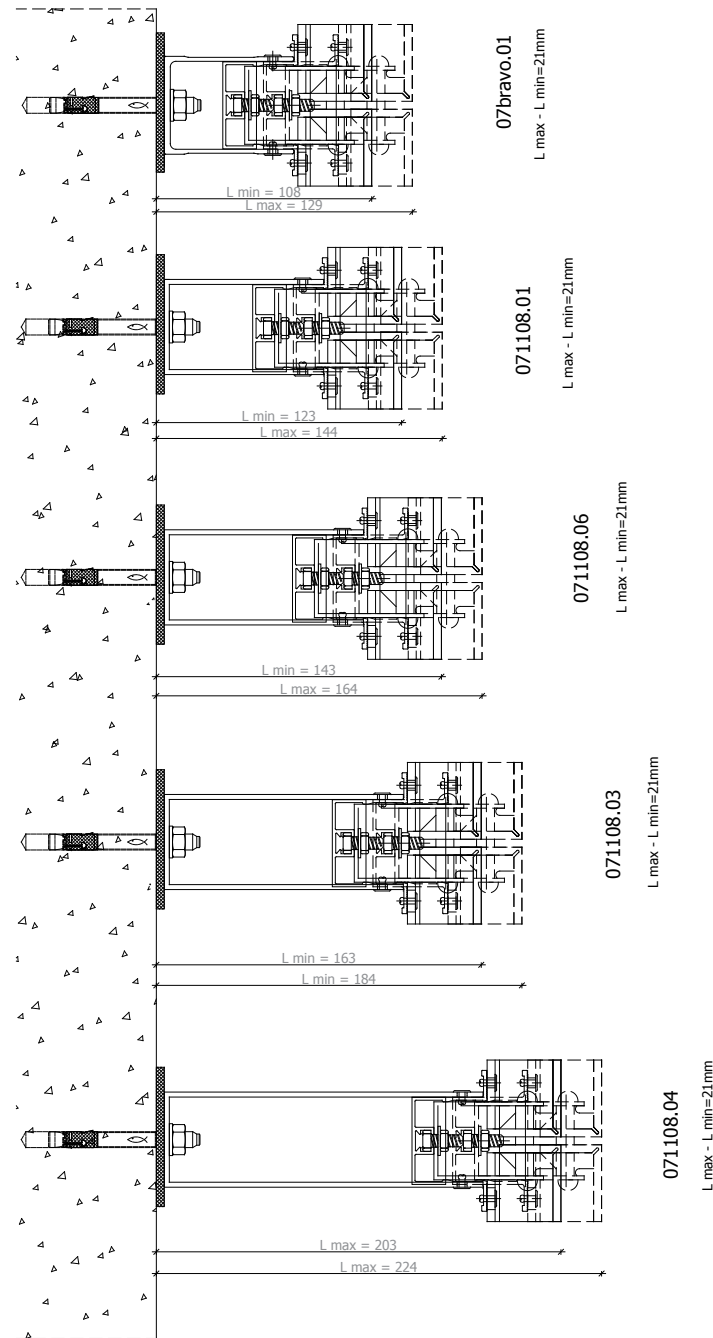
The engineering design of this product is an intellectual property of ETEM Building Systems.
Copying and distributing any parts of the product is a violation of the copyright law.



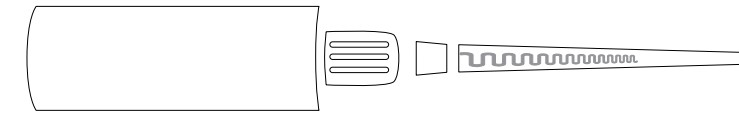
03/2010

The engineering design of this product is an intellectual property of ETEM Building Systems.
Copying and distributing any parts of the product is a violation of the copyright law.

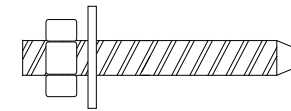
mounting distance from the construction base of profile - 33413



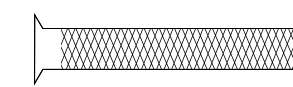
fastening elements



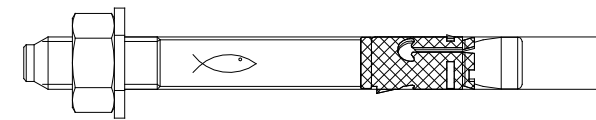
chemical anchor



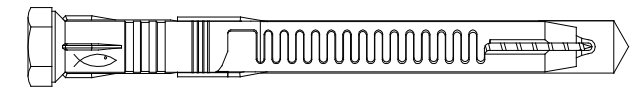
threaded rod



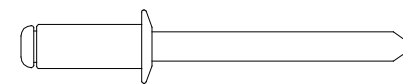
plastic sieve



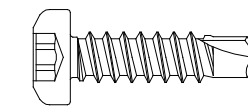
anchor



plug



rivet



self drilling screw

03/2010

The engineering design of this product is an intellectual property of ETEM Building Systems. Copying and distributing any parts of the product is a violation of the copyright law.



03/2010

The engineering design of this product is an intellectual property of ETEM Building Systems. Copying and distributing any parts of the product is a violation of the copyright law.

